

This is the Author's Pre-print version of the following article: *A. Anzo-Hernández, M. García-Martínez, E. Campos-Cantón, L.J. Ontañón-García, Electronic implementation of a dynamical network with nearly identical hybrid nodes via unstable dissipative systems, Chaos, Solitons & Fractals, Volume 127, 2019, Pages 272-282,,* which has been published in final form at: <https://doi.org/10.1016/j.chaos.2019.06.034>

© 2019 This manuscript version is made available under the Creative Commons Attribution-NonCommercial-NoDerivatives 4.0 International (CC BY-NC-ND 4.0) license <http://creativecommons.org/licenses/by-nc-nd/4.0/>

Electronic implementation of a dynamical network with nearly identical hybrid nodes via unstable dissipative systems

A. Anzo-Hernández^a, M. García-Martínez^b, E. Campos-Cantón^c,
L.J. Ontañón-García^{d,*}

^a CÁTEDRAS CONACYT - BENEMÉRITA UNIVERSIDAD AUTÓNOMA DE PUEBLA - FACULTAD DE CIENCIAS FÍSICO-MATEMÁTICAS,
Benemerita Universidad Autónoma de Puebla,
AVENIDA SAN CLAUDIO Y 18 SUR, COLONIA SAN MANUEL, 72570.
PUEBLA, PUEBLA, MÉXICO.

^b TECNOLOGICO DE MONTERREY,
Escuela de ingeniería y ciencias
San Luis Potosí, SLP, México

^c IPICYT/DIVISIÓN DE MATEMÁTICAS APLICADAS ,
CAMINO A LA PRESA SAN JOSÉ 2055 COL. LOMAS 4A SECCIÓN, 78216,
SAN LUIS POTOSÍ, SLP, MÉXICO

^d COORDINACIÓN ACADÉMICA REGIÓN ALTIPLANO OESTE,
Universidad Autónoma de San Luis Potosí,
KILOMETRO 1 CARRETERA A SANTO DOMINGO, 78600
SALINAS DE HIDALGO, SAN LUIS POTOSÍ , MÉXICO.

Abstract

A circuit architecture is proposed and implemented for a dynamical network composed of a type of hybrid chaotic oscillator based on Unstable Dissipative Systems (UDS). The circuit architecture allows selecting a network topology with its link attributes and to study, experimentally, the practical synchronous collective behavior phenomena. Additionally, based on the theory of dynamical networks, a mathematical model of the circuit was described, taking into account the natural tolerance of the electronic components. The network is analyzed both numerically and experimentally according to the parameters mismatch between nodes.

Keywords: Chaos, Unstable Dissipative Hybrid Systems, Dynamical Networks, Nearly Identical Nodes, Electronic Implementation.

*Corresponding author

Email addresses: `andres.anzo@hotmail.com` (A. Anzo-Hernández),
`moises.garcia@itesm.mx` (M. García-Martínez), `eric.campos@ipicyt.edu.mx`
(E. Campos-Cantón), `luis.ontanon@uaslp.mx` (L.J. Ontañón-García)

1. Introduction

The design and circuit implementation of chaotic oscillators have been an active research subject that allows to better understand the chaos phenomena and influencing it. Several technological applications of such chaotic circuits have been also proposed in the area of secure communications or in cryptography devices [1, 2, 3]. Another advantages of electronic circuits is its feasibility to represent chaotic dynamics throughout analog circuitry. Take for instance the studies published in [4, 5, 6], where the electronic circuit implementation of a dynamical system is simplified by means of Operational Amplifiers (Op Amp's).

Other form to reduce the circuit design complexity is to use linear dynamical systems and induce a chaotic behavior by the introduction of simple switching law. Such systems are usually called Piece-Wise Linear (PWL) systems and are capable of generating various scroll attractors in the phase space. One of the most prominent example of PWL system is the so called Chua's circuit [7] which has also stimulated the current research interest in creating numerous chaotic circuit with simple electronic components. Other example is the PWL system based on unstable dissipative system (UDS) which is constructed from the jerk equations and its simple mathematical expression allows its implementation with few electronic components [8].

In recent years, some research efforts have been focused on implementing circuit devices that emulate the dynamics of two or more coupled chaotic circuits. For example, Muñoz-Pacheco *et al* [9] used metal-oxide-semiconductor (CMOS) integrated circuit technology in order to fabricate multi-scroll oscillators coupled in a master-slave configuration. The field-programmable gate arrays (FPGAs) have been also used to realize multi-scroll chaotic oscillators in [10]. In the same direction, Leyva *et. al.* [11] implemented a network of electronic Rössler oscillators coupled in a star configuration and Magistris *et. al.* [12] investigated the robustness of an ensemble of coupled non-identical Chua's circuits.

The coupled chaotic circuits studied and implemented in the aforementioned research works, form part of what is usually called dynamical complex networks (or simply dynamical networks). The term complexity is introduced here with the aim to highlight that these systems are composed by dynamical units coupled in a non trivial topology configuration [13]. One of the collective behavior that emerges in dynamical complex network is synchronization which occurs when the motion of all the individuals in the net follows a common evolution [14, 15]. Some criteria which are often used to detect complete synchronization are the second-largest eigenvalue condition of the coupling matrix [16] or the Master Stability Function [17]. However, these methods have been derived for networks composed of identically chaotic oscillators, so the structure of the network plays a crucial role in determining if the synchronization occurs or not.

Notwithstanding the vast literature on the synchronization of dynamical networks, the majority of the existing studies usually assume that nodes are identical, that is, the dynamics of each node is described by the same vector field. However, taking into account the diversity that nature presents, it is often a difficult task or attributed to the luck of finding two systems with exactly the

same characteristics. In light of this, some reports have been made on the study of non-identical nodes among networks [12, 18]. This comes as a major concern in different areas such as biology and sociology, but in the particular case of electronics, it is well known that the manufacturer industry fabricates passive components such as resistors, capacitors, etc., that present specific tolerances in their nominal values, *i. e.*, the value of each component differs from the value reported by the manufacturer. In this scenario, a resistor with a nominal value of 100Ω and a tolerance of 10% will actually have a value between 90Ω and 110Ω , as have been pointed out in [19].

Considering the problem described above, if an electronic circuit is designed in order to emulate a dynamical complex network composed of identically chaotic oscillators, then their corresponding nodes parameters will exhibit variations that make them not identical at all. It is worth to mention that a given chaotic system is sensitive, amongst other things, to small changes in their parameters values. Such situations motivated the present study in the relationship among the nodes with parameter mismatch in a dynamical network in order to detect the emergence of synchronization. Each node of the network will be considered as a PWL system based on UDS following two methodologies to study the synchronization: 1) based on the formalism of dynamical complex networks, a mathematical model where each node present variations on their parameter configuration due to the intrinsic tolerances on their components will be proposed, resulting in a nearly identical network; 2) an electronic circuit using Op Amps will be designed and implemented in order to study the physical nearly identical network in a more tangible manner. The configuration of the network connections can be varied among the nodes by means of physical connections in the circuits using wires and resistances. In particular, two network topologies were tested, namely Fully Connected (FC) and Nearest Neighbor (NN) configurations. Additionally, from each node a randomly parameter variation of $\pm 20\%$ was introduced from a nominal value. The numerical and electronic circuit experiment have shown that despite their parametric mismatch, the network achieve a bounded practical synchronization, that is, the differences between nodes variables states are less than a small positive number.

This paper is organized as follows: in Section 2 is described the main attributes of a hybrid system based on UDS. In Section 3, some basic preliminaries about dynamical complex networks and synchronization phenomena are introduced. Next, Section 4 present the problem statement where the model of a network of nearly identical hybrid nodes is described. In Section 5, the numerical results and in Section 6 the design of the circuit and the corresponding results of its performances are shown. Finally, in Section 7 some concluding remarks are discussed.

2. Hybrid dynamical system

In order to define a hybrid system based on unstable dissipative systems (UDS) in a similar way as [20], the following hybrid dynamical system will be

considered:

$$\dot{\mathbf{x}} = \mathbf{A}\mathbf{x} + \mathbf{B}(\mathbf{x}); \quad (1)$$

where $\mathbf{x} = [x_1, x_2, x_3]^\top \in \mathbf{R}^3$ is the state vector, the matrix $\mathbf{A} = \mathcal{M}_{3 \times 3}(\{a_{ij}\})$ is the linear operator whose entries are defined by the parameters $a_{ij} \in \mathbf{R}$ (for $i, j = 1, 2, 3$); and $\mathbf{B}(\cdot) : \mathbf{R}^3 \rightarrow \mathbf{R}^3$ is a piecewise constant vector which is determined by a discrete dynamics behaviour of the state vector in different domains. In order to define it, the state space \mathbf{R}^3 will be divided into a finite number of domains $\mathcal{S}_k \subset \mathbf{R}^3$ in a way that $\mathbf{R}^3 = \cup_{k=1}^m \mathcal{S}_k$ and $\cap_{k=1}^m \mathcal{S}_k = \emptyset$. Therefore, the affine vector \mathbf{B} must be considered as a discrete function that changes depending on which domain \mathcal{S}_k , $k = 1, \dots, m$, the trajectory $\phi^t(\mathbf{x}_0)$ is located. ϕ^t is the flow of the system (1) and \mathbf{x}_0 is the initial condition. In particular, it is assumed that the system (1) is based on the jerk equation (see [21] and [22]) $\ddot{\mathbf{x}} + a_{33}\dot{\mathbf{x}} + a_{32}\ddot{\mathbf{x}} + a_{31}\mathbf{x} + f(\mathbf{x}) = 0$, which can be expressed as a system of first order differential equations in the form of (1) considering:

$$\mathbf{A} = \begin{pmatrix} 0 & 1 & 0 \\ 0 & 0 & 1 \\ -a_{31} & -a_{32} & -a_{33} \end{pmatrix}, \quad \mathbf{B}(\mathbf{x}) = \begin{pmatrix} 0 \\ 0 \\ b_3(\mathbf{x}) \end{pmatrix}; \quad (2)$$

where $b_3(\mathbf{x}) : \mathbf{R}^3 \rightarrow \mathbf{R}$ is a piecewise-constant function that controls the discrete transitions of the affine vector \mathbf{B} called the switching law. With the state space partition \mathcal{S}_k , with $k = 1, \dots, m$, the switching law takes the form:

$$b_3(\mathbf{x}) = \begin{cases} \beta_1, & \text{if } \mathbf{x} \in \mathcal{S}_1 = \{\mathbf{x} \in \mathbf{R}^3 : \mathbf{v}^\top \mathbf{x} < \delta_1\}; \\ \beta_2, & \text{if } \mathbf{x} \in \mathcal{S}_2 = \{\mathbf{x} \in \mathbf{R}^3 : \delta_1 \leq \mathbf{v}^\top \mathbf{x} < \delta_2\}; \\ \vdots & \vdots \\ \beta_m, & \text{if } \mathbf{x} \in \mathcal{S}_m = \{\mathbf{x} \in \mathbf{R}^3 : \delta_{m-1} \leq \mathbf{v}^\top \mathbf{x}\}; \end{cases} \quad (3)$$

with $\beta_k \in \mathbf{R}$, for $k = 1, \dots, m$. The domains in which the space is partitioned are given by \mathcal{S}_i , where $\mathbf{v} = [v_1, v_2, v_3]^\top \in \mathbf{R}^3$ (with $\mathbf{v} \neq 0$) is a constant vector and $\delta_1 \leq \delta_2 \leq \dots \leq \delta_{m-1}$ are scalars that define the switching regions. The switching surfaces are given by the hyperplanes $\mathbf{v}^\top \mathbf{x} = \delta_i$ (for $i = 1, 2, \dots, m-1$), e.g., $v_1 \cdot x_1 + v_2 \cdot x_2 + v_3 \cdot x_3 - \delta_i = 0$. For simplicity and for this particular type of systems the hyperplanes will be adjusted with $\mathbf{v} = [1, 0, 0]^\top \in \mathbf{R}^3$, locating them only along x_1 axis.

The role of the switching law is to control the discrete transition of \mathbf{B} in order to indicate the affine linear system (1) that is active, i.e., if $b_3(\mathbf{x}) = \beta_k$ for $k \in I = \{1, \dots, m\}$ and $\mathbf{x} \in \mathcal{S}_k$, then the affine linear system that governs the dynamics in the k -th domain \mathcal{S}_k is: $\dot{\mathbf{x}} = \mathbf{A}\mathbf{x} + [0, 0, \beta_k]^\top$.

It is worth to note that the system (1)-(2) contains for each domain \mathcal{S}_k , a single equilibrium point located at $\mathbf{x}_k^* = -\mathbf{A}^{-1}\mathbf{B}_k = [\beta_k/a_{31}, 0, 0]^\top$. In particular, the interest of the work is that each domain will be a hyperbolic set containing a single unstable focus-saddle equilibrium point \mathbf{x}^* which presents a stable manifold $M^s = \text{span}\{\varepsilon_1\} \in \mathbf{R}^3$ with a fast eigendirection and an unstable manifold $M^u = \text{span}\{\varepsilon_2, \varepsilon_3\} \in \mathbf{R}^3$ with a slow spiral eigendirection. In this form it is ensured that for any initial condition $\mathbf{x}_0 \in \mathbf{R}^n$, the orbit $\phi^t(\mathbf{x}_0)$

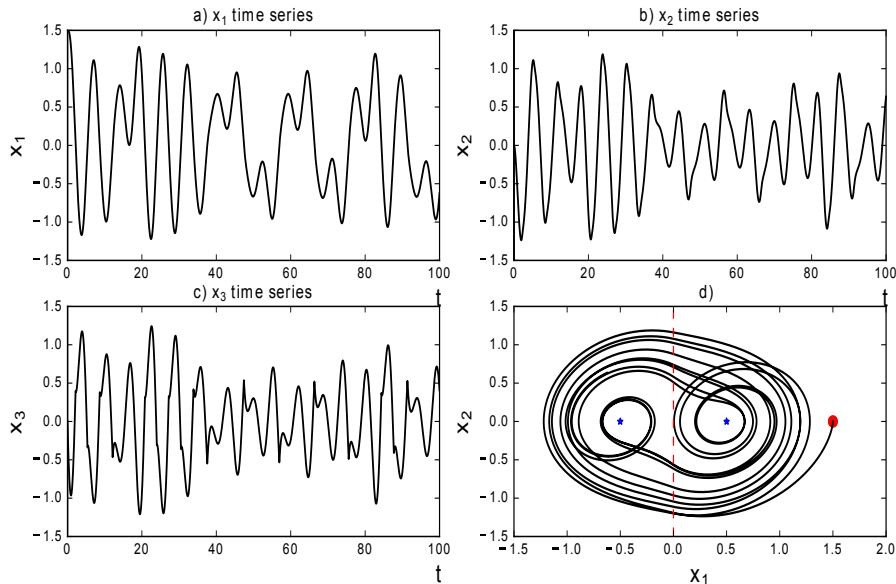


Figure 1: Time series of the states: a) x_1 , b) x_2 , c) x_3 . d) Projection of the trajectory onto the (x_1, x_2) plane. The parameter of the linear operator are $a_{31} = -2$, $a_{32} = -1$, $a_{33} = -1$ and switching law (4). The red dashed line in Figure d) corresponds to the switching surface, the blue stars indicate the location of the equilibria and, the initial condition at $\mathbf{x}_0 = (1.5, 0, 0)^T$ is marked with a red dot.

of the system (1)-(2) is confined in an one-spiral trajectory in the region S_k called scroll until its size increases due to the unstable eigenspectra. When the trajectory $\phi^t(\mathbf{x}_0) \subset S_\rho$ reaches to the hyperplane $x_1 = \delta_\rho$, it crosses to the region $S_{\rho+1}$, where it is again confined in a new scroll with equilibrium point $\mathbf{x}_{\rho+1}^* = -\mathbf{A}^{-1}\mathbf{B}_{\rho+1}$ until the trajectory expands again. In this context, the system (1)-(2) can display various multi-scroll attractors as a result of a combination of several unstable one-spiral trajectories, where the switching between regions is governed by the switching function (3). In order to guarantee the existence of saddle equilibrium points, the following assumptions about the hybrid dynamical system (1) must be considered:

Assumption 1: The eigenvalues of the linear operator \mathbf{A} , denoted by λ_i (for $i = 1, 2, 3$), of a linear system $\dot{x} = \mathbf{A}x$ satisfies:

- A1.- One of its eigenvalues (labeled as λ_1) is a real number;
- A2.- The other two of its eigenvalues (labeled as λ_2 and λ_3) are complex conjugate and;
- A3.- The sum of its eigenvalues satisfy: $\sum_{i=1}^3 \lambda_i < 0$.

A hybrid dynamical system of the form (1) that satisfy the requirements of **Assumption 1** is called a hybrid dynamical system based on unstable dissipative system (UDS). According to eigenvalues attributes of \mathbf{A} , it has been proposed the following classifications from UDS [8]:

Definition 2.1. The system (1) is based on UDS Type I if the eigenvalues of its linear operator \mathbf{A} satisfy the **Assumptions 1** with $\lambda_1 < 0$, $\text{Re}\{\lambda_2\} > 0$ and $\text{Re}\{\lambda_3\} > 0$.

Definition 2.2. The system (1) is based on UDS Type II if the eigenvalues of its linear operator \mathbf{A} satisfy the **Assumptions 1** with $\lambda_1 > 0$, $\text{Re}\{\lambda_2\} < 0$ and $\text{Re}\{\lambda_3\} < 0$.

As the authors in [23] mentioned, the above Definitions 2.1 and 2.2 imply that the UDS Type I is stable in one of its components but unstable in the other two, which are oscillatory. The converse is the UDS Type II, which are stable and oscillatory in two of its components but unstable in the other one.

In order to illustrate this, the dynamical system (1)-(2) will be considered throughout the work only satisfying Definition 2.1 with parameters $a_{31} = 2$, $a_{32} = 1$ and $a_{33} = 1$ for the linear operator \mathbf{A} and a switching law as follows:

$$b_3(\mathbf{x}) = \begin{cases} 1, & \text{if } \mathbf{x} \in S_1 = \{\mathbf{x} \in \mathbf{R}^3 : x_1 \geq 0\}; \\ -1, & \text{if } \mathbf{x} \in S_2 = \{\mathbf{x} \in \mathbf{R}^3 : x_1 < 0\}. \end{cases} \quad (4)$$

For these parameter values, the linear operator has the following eigenvalues: $\lambda_1 = -1.353$ and $\lambda_{2,3} = 0.176 \pm 1.2i$, which according to Definition 2.1 the system is an UDS of Type I. In Figure 1 it is depicted the time series for each variable state and the projection onto the plane (x_1, x_2) of the trajectory of the hybrid dynamical system via UDS with eqs. (1)-(2) and the switching law (4) with initial condition $\mathbf{x}_0 = (1.5, 0, 0)^\top$. It is worth to note that the system generates a double-scroll attractor around the equilibria $\mathbf{x}_1^* = (0.5, 0, 0)^\top$ and $\mathbf{x}_2^* = (-0.5, 0, 0)^\top$ due to the aforementioned switching dynamics.

3. Dynamical networks and synchronization

In general, a dynamical network is composed by a set of N -coupled dynamical systems of the form $\dot{\mathbf{x}}_i(t) = f_i(\mathbf{x}_i(t), \alpha_i)$; where $\mathbf{x}_i(t) = [x_{i1}, x_{i2}, \dots, x_{in}]^\top \in \mathbf{R}^n$ is the state vector of the i -th node; $f_i : \mathbf{R}^n \rightarrow \mathbf{R}^n$ is the vector field for the i -th dimensional isolated node; and $\alpha_i \in \mathbf{R}$ is the corresponding mismatch parameter of i -th node. The parameters α_i , with $i = 1, \dots, N$, set the difference between nearly identical hybrid nodes. In particular, it is usual to consider the case in which the nodes are identical, *i.e.*, $f(\cdot) = f_i(\cdot)$ and $\alpha_i = \alpha_j \forall i, j$. Additionally, the coupling between neighboring nodes is assumed to be bidirectional links such that the state equation of the entire network is:

$$\dot{\mathbf{x}}_i(t) = f(\mathbf{x}_i(t), \alpha_i) + c_i \sum_{j=1}^N \Delta_{ij} \Gamma (\mathbf{x}_j(t) - \mathbf{x}_i(t)), \quad i = 1, \dots, N; \quad (5)$$

where c_i is the coupling strength; $\Gamma = \text{diag}\{r_1, \dots, r_n\} \in \mathbf{R}^{n \times n}$ is the inner coupling matrix where $r_l = 1$ if nodes are linked through their l -th state variable, and $r_l = 0$ otherwise. The network topology shows how the nodes are connected to each other, and it is described mathematically by the coupling matrix

$\Delta = \mathcal{M}_{N \times N}(\{\Delta_{ij}\})$, whose elements are zero or one depending on which pair of nodes are connected or not. This matrix contains the information of the entire network's topology and it is constructed as follows: because we consider bidirectional couplings, if there is a connection between node i and node j (with $i \neq j$), then $\Delta_{ij} = \Delta_{ji} = 1$; otherwise $\Delta_{ij} = \Delta_{ji} = 0$. To complete the construction of Δ , their diagonal entries are calculated as

$$\Delta_{ii} = - \sum_{\substack{j=1 \\ j \neq i}}^N \Delta_{ij} = - \sum_{\substack{j=1 \\ j \neq i}}^N \Delta_{ji}, \quad i = 1, 2, \dots, N. \quad (6)$$

Eq. (6) is known as the diffusive condition. If there are not isolated nodes in the network, then Δ is a symmetric and irreducible matrix whose eigenspectrum satisfies the following conditions [16]: zero is an eigenvalue of multiplicity one; all its non zero eigenvalues are strictly negative and; they can be ordered as $0 = \mu_1 > \mu_2 \geq \mu_3 \geq \dots \geq \mu_N$.

For the dynamical network (5), complete synchronization emerges when the state variables of each node evolve at unison in common trajectories, and the following limit is satisfied $\lim_{t \rightarrow \infty} \|\mathbf{x}_i(t) - \mathbf{x}_j(t)\| = 0, \forall i, j$, where $\|\cdot\|$ denotes the Euclidean norm in \mathbf{R}^3 . In this case, the node's trajectory converge asymptotically towards the synchronization manifold $\Omega = \{\mathbf{x}_i \in \mathbf{R}^3 : \mathbf{x}_1 = \mathbf{x}_2 = \dots = \mathbf{x}_N\}$. However, such type of synchronizations occurs when the nodes are identically [12]. For non identical (or almost identically) nodes, the following definition is used:

Definition 3.1. *The dynamical network (5) is said to achieve practical synchronous collective behavior if any of the trajectories of the system nodes satisfy the following condition:*

$$\lim_{t \rightarrow \infty} \|e_i(c)\| \leq \epsilon \quad i = 1, \dots, N \quad (7)$$

where $e_i(c)$ correspond to the error given by the Euclidean distance for a given coupling strength

$$e_i(c) = \sqrt{(\mathbf{x}_{i1}(t) - \mathbf{x}_{mean_1}(t))^2 + (\mathbf{x}_{i2}(t) - \mathbf{x}_{mean_2}(t))^2 + (\mathbf{x}_{i3}(t) - \mathbf{x}_{mean_3}(t))^2}, \quad (8)$$

and \mathbf{x}_{mean_j} , with $j = 1, 2, 3$, determines the mean of the j -th state of the nodes of the system in a way that:

$$\mathbf{x}_{mean_1}(t) = N^{-1}(x_{11}(t) + x_{21}(t) + \dots + x_{N1}(t)) \quad (9)$$

for some $\epsilon_{max} > \epsilon > 0$.

The upper limit ϵ_{max} will be considered for this particular arrange of the network as a fix value calculated as the average of the error $\epsilon_{max} = N^{-1} \sum_{j=c_{min}}^{c_{max}} e_i(c_j)$ considering the variation of the coupling strength from a minimum value c_{min} up to a maximum value c_{max} . These values will be described in the following

sections. If $\lim_{t \rightarrow \infty} \epsilon \rightarrow 0$ in (7), then the dynamical network (5) is said to achieve synchronous collective behavior. In experiments like electronic implementations, it is almost impossible to obtain synchronous collective behavior due to tolerance in physical devices

In this paper the practical synchronization of the dynamical network (5) is studied for the case in which nodes are almost identical in the sense that their difference lies in its parameters values. In the next section it is stated in detail the research problem addressed in the investigation.

4. Problem statement

In order to model the specific tolerances in the nominal values of our circuit's components it is introduced in the dynamical network (5) a parameter mismatch in each node, considering a variation from the original systems values simulating a maximal nominal tolerance in electronic devices. Additional, it is assumed that the dynamics of each hybrid node is given by a PWL system based on a UDS of the Type I of the form (1)-(2) with a switching law (4) as described in Definition 2.1. With these considerations, the state equation of the entire network is given by:

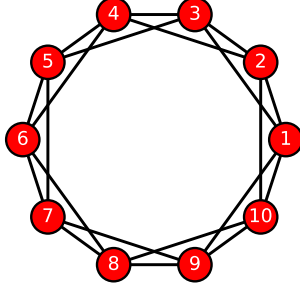
$$\dot{\mathbf{x}}_i(t) = \alpha_i \left(\mathbf{A}\mathbf{x}_i + \mathbf{B}(\mathbf{x}_i) + c_i \sum_{j=1}^N \Delta_{ij} \Gamma(\mathbf{x}_j(t) - \mathbf{x}_i(t)) \right), \quad i = 1, \dots, N; \quad (10)$$

where $\alpha_i \in \mathbf{R}^+$ with $i = 1, \dots, N$ represents the parameter mismatch value for each node, considering a variation from the original systems value simulating a maximal nominal tolerance in electronic devices. Notice that α_i also affects the coupling term c_i as $c_i \cdot \alpha_i$, anticipating that the physical interconnections in the network will also be implemented electronically.

Although physical components which are regularly manufactured present tolerances between $\pm 5\%$ to $\pm 10\%$ [19]. Here, higher values than the ones reported by the manufacturer will be implemented in a way that any possible deviation from the normal range of real values is considered. Then, from a random uniform distribution the α_i variation will be given by the Matlab command *rand()* considering values between $\alpha_i \in [0.8, 1.2)$ corresponding to a $\pm 20\%$ random tolerance.

The research problem tackled in this paper is about verifying whether a set of interconnected PWL systems based on UDS given by Eq. (10) with parameter mismatch given by α_i achieve practical synchronization. The methodology consists of two steps: i) implement numerical simulations of the network model given in Eq. (10) and; ii) the development of an electronic circuit experiment that resembles the real physical network. In the following sections the results for each methodology are discussed.

a) Nearest Neighbor Network



b) Fully Connected Network

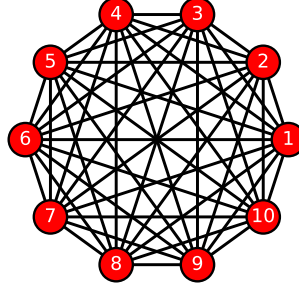


Figure 2: Graph structures for the network connection of $N = 10$ non-identical nodes for the numerical simulation: a) nearest neighbor (NN) connection and b) fully connected (FC) network.

5. Numerical simulation

A network of $N = 10$ nearly identical nodes will be considered and connected in two network topologies: Nearest Neighbor (NN) and Fully Connected (FC), as depicted in Figure 2. The diffusive coupling matrix for the NN network with two neighbors at each side is given by:

$$\Delta^{near} = \begin{pmatrix} -4 & 1 & 1 & 0 & 0 & 0 & 0 & 0 & 1 & 1 \\ 1 & -4 & 1 & 1 & 0 & 0 & 0 & 0 & 0 & 0 \\ 1 & 1 & -4 & 1 & 1 & 0 & 0 & 0 & 0 & 0 \\ 0 & 1 & 1 & -4 & 1 & 1 & 0 & 0 & 0 & 0 \\ 0 & 0 & 1 & 1 & -4 & 1 & 1 & 0 & 0 & 0 \\ 0 & 0 & 0 & 1 & 1 & -4 & 1 & 1 & 0 & 0 \\ 0 & 0 & 0 & 0 & 1 & 1 & -4 & 1 & 1 & 0 \\ 0 & 0 & 0 & 0 & 0 & 1 & 1 & -4 & 1 & 1 \\ 1 & 0 & 0 & 0 & 0 & 0 & 1 & 1 & -4 & 1 \\ 1 & 1 & 0 & 0 & 0 & 0 & 0 & 1 & 1 & -4 \end{pmatrix}; \quad (11)$$

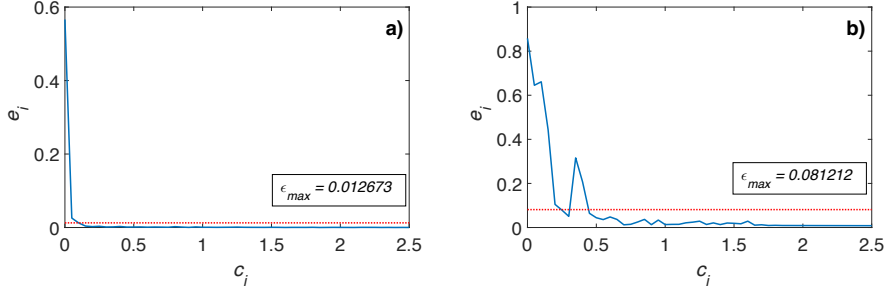


Figure 3: Euclidean error between the states of the system nodes calculated by a variation in the coupling strength from $0 < c_i < 2.5$ for $N = 10$ nearly identical nodes connected in: a) Fully Connected (FC) configuration b) Nearest Neighbor (NN) configuration. The red dotted line indicate the location of the ϵ_{max} value as described in Definition 3.1

And the diffusive coupling matrix for the FC network is given by:

$$\Delta^{fully} = \begin{pmatrix} -9 & 1 & 1 & 1 & 1 & 1 & 1 & 1 & 1 & 1 \\ 1 & -9 & 1 & 1 & 1 & 1 & 1 & 1 & 1 & 1 \\ 1 & 1 & -9 & 1 & 1 & 1 & 1 & 1 & 1 & 1 \\ 1 & 1 & 1 & -9 & 1 & 1 & 1 & 1 & 1 & 1 \\ 1 & 1 & 1 & 1 & -9 & 1 & 1 & 1 & 1 & 1 \\ 1 & 1 & 1 & 1 & 1 & -9 & 1 & 1 & 1 & 1 \\ 1 & 1 & 1 & 1 & 1 & 1 & -9 & 1 & 1 & 1 \\ 1 & 1 & 1 & 1 & 1 & 1 & 1 & -9 & 1 & 1 \\ 1 & 1 & 1 & 1 & 1 & 1 & 1 & 1 & -9 & 1 \\ 1 & 1 & 1 & 1 & 1 & 1 & 1 & 1 & 1 & -9 \end{pmatrix}. \quad (12)$$

Regarding the link attributes, it is assumed that the inner coupling matrix is given by the identity matrix *i.e.* $\Gamma = \mathbb{I} \in \mathbf{R}^3$. The random tolerance parameter α_i will take the values given in Table 1 where also the initial condition is shown for each one of the nodes. To determine the correct value of the coupling strength c between the nodes the Euclidean distance as represented in Definition 3.1 was calculated for a variation of the values in the range $0 \leq c \leq 2.5$ for two different connections. The results are depicted in Figure 3 a) for the FC network and in Figure 3 b) for the NN network. Both graphs also depict a red dotted line indicating the location of the ϵ_{max} value as described in Definition 3.1, the text boxes show that value for each type of connection. So any network node which its oscillating states present an Euclidean distance below the ϵ_{max} value, will be considered practical synchronized.

Taking this in consideration, in Figures 4 a),b) and c) it is shown the dynamics of the nearly-identical network (10) with a FC configuration (12). It can be appreciated how the x_{i1}, x_{i2} and x_{i3} states of the 10 nodes ($i = 1, \dots, 10$) are oscillating autonomously until the network is coupled in the nearest neighbor connection at $t \geq 100$, which represents the moment in which the coupling strength changes from $c = 0$ to $c = 0.5$. The solutions of the systems were

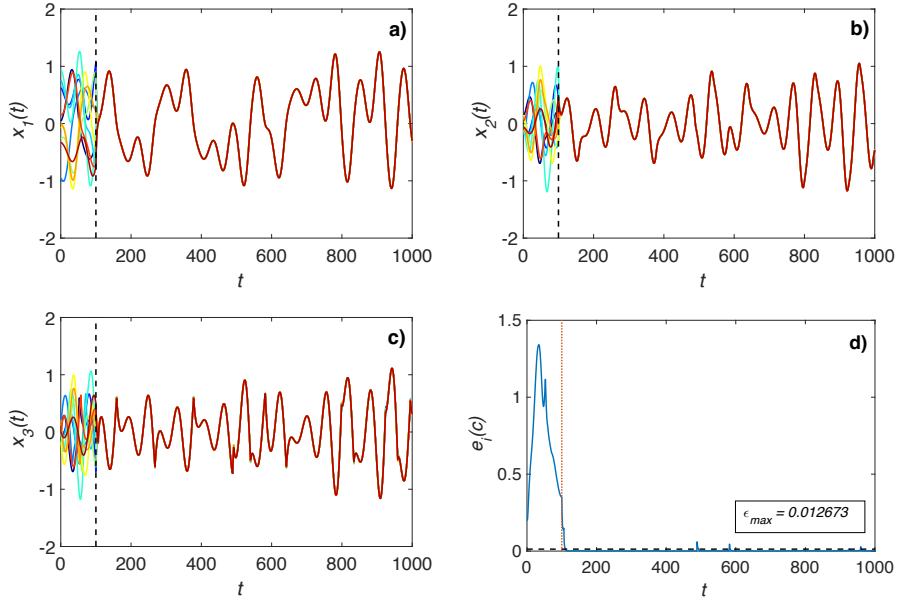


Figure 4: Time Series of the variable state a) x_{i1} , b) x_{i2} and c) x_{i3} for $i = 1, \dots, 10$ nearly identical nodes connected in a Fully Connected (FC) configuration (Eq. (12)) with $c = 0.5$. The Euclidean error $e_i(c)$ among the variables states of the system in node 1 is appreciated in d).

calculated with the Runge-Kutta of the fourth order integration method and with an integration step of 0.01. Notice how the states begin to couple among themselves presenting some transient behavior after $t \geq 100$. Also, the Euclidean error is shown for the variable state of the node 1 in 4 d). Here it can

Table 1: The initial condition and the corresponding parameter mismatch for each one of the $N = 10$ and connected according to a FC and NN configuration.

Node index	Initial Condition	α_i
1	(-0.153, 0.407, -0.388)	0.9369
2	(0.107, -0.167, -0.48)	0.9548
3	(0.29, 0.297, 0.049)	0.8104
4	(-0.025, 0.464, 0.367)	1.0534
5	(-0.121, -0.203, -0.026)	1.0261
6	(0.264, -0.285, -0.3)	0.9462
7	(0.065, -0.407, -0.208)	0.9685
8	(0.084, -0.223, 0.355)	0.9848
9	(-0.09, 0.324, -0.159)	0.9257
10	(0.039, -0.012, 0.123)	0.8902

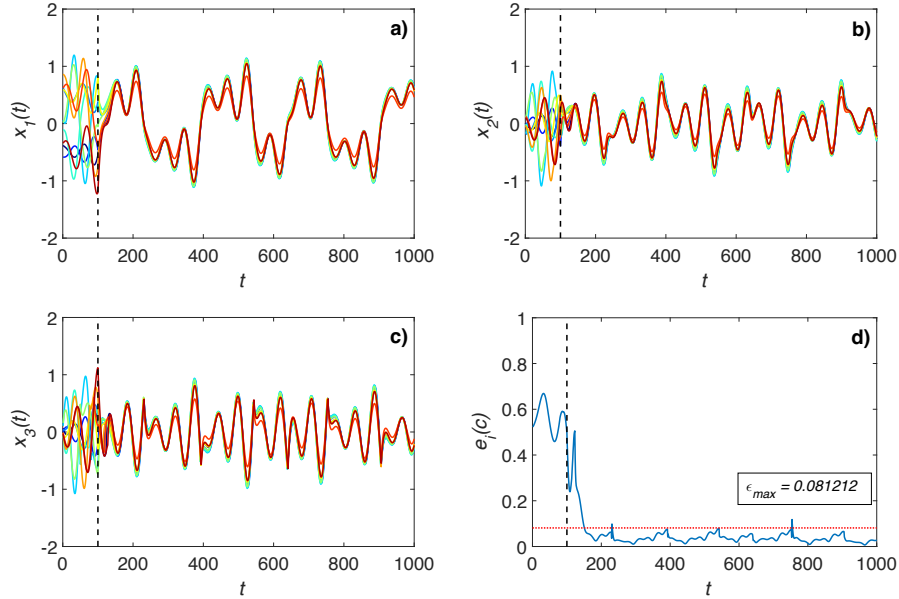


Figure 5: Time Series of the variable state a) x_{i1} , b) x_{i2} and c) x_{i3} for $i = 1, \dots, 10$ nearly identical nodes connected in a Nearest Neighbors (NN) configuration (Eq. (12)) with $c = 0.5$. The Euclidean error $e_i(c)$ among the variables states of the system in node 1 is appreciated in d).

be seen how error fall for $t > 100$ below a value of ϵ_{max} , that is, the network (10) achieves practical synchronous collective behavior.

Now, the case of the NN network configuration whose diffusive coupling matrix is given by (11) is shown in Figures 5 a), b), c) and d). Here, the time series of each variable and the corresponding euclidian error is depicted, similar characteristics are considered as in the previous example, i.e., at $t \geq 100$ the coupling strength changes from $c = 0$ to $c = 0.5$. It is shown that the nearly-identical network (10) achieves practical synchronous collective behavior considering $\epsilon_{0.81212}$, except for some brief instants in which the system present intermittency on the synchronous states after $t = 250$ time steps. This intermittency phenomena happens because of the less connections among the nodes that the network presents, in contrast as in the FF the coupling. To avoid redundancy in the results depicted the only value of the coupling strength that is presented is at $c = 0.5$, since for greater values as depicted in Figure 3 the error falls below ϵ_{max} .

In the next section the electronic circuit implementation of the nearly-identical network (10) will be described to study experimentally the bounded synchronization phenomenon.

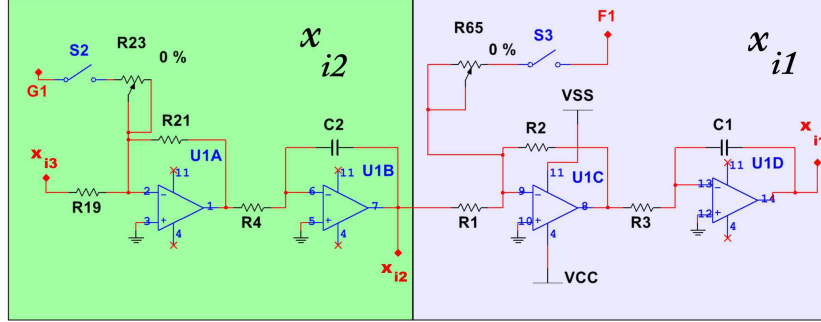


Figure 6: Circuit diagram for the electronic implementation of the x_{i1} and x_{i2} state equations of the i -th node, as described in eq. (14).

6. Electronic circuit implementation

In order to demonstrate the network coupling in a real physical manner, the electronic implementation of the network is carried out. Following the concepts of analog computation described in [4] and in the same way that [24], these systems can be electronically implemented by means of specific configurations of Op Amps. The idea is described next.

A network interconnected according to the coupling structures in Figure 2 will be considered, with the variation that it will be composed of $N = 4$ nodes. The systems states will be connected among each others according to the state linking matrix $\Gamma = \mathbf{I}_3$ where $\mathbf{I} \in R^3$ represents the identity matrix. The coupling strength between connections will be implemented by c_i . Now, in order to represent the electronic implementation of one of the nodes, firstly it will be considered the x_{i1} and x_{i2} state equations (for the first node, *i.e.* $N = 1$), represented in (1)-(2) with (4) coupled to the network by means of (10). The set of equations for the i -th node will take the following form:

$$\dot{\mathbf{x}}_i = \begin{bmatrix} \dot{x}_{i1} \\ \dot{x}_{i2} \\ \dot{x}_{i3} \end{bmatrix} = \begin{bmatrix} x_{i2} + c \sum_{j=1}^3 \Delta_{ij}(x_{j1} - x_{i1}) \\ x_{i3} + c \sum_{j=1}^3 \Delta_{ij}(x_{j2} - x_{i2}) \\ -2x_{i1} - x_{i2} - x_{i3} + b_{i3}(\mathbf{x}) + c_i \sum_{j=1}^3 \Delta_{ij}(x_{j3} - x_{i3}) \end{bmatrix}. \quad (13)$$

Notice that the parameter α_i has not been considered explicitly in the equation (13) because it is considered implicitly in the electronic circuit with the corresponding tolerance naturally in their physical devices. Now, by integrating with respect to time on both sides of the equations, the states will result in:

$$\begin{bmatrix} x_{i1}(t) \\ x_{i2}(t) \\ x_{i3}(t) \end{bmatrix} = \begin{bmatrix} \int_0^t (x_{i2}(\tau) + c \sum_{j=1}^3 \Delta_{ij}(x_{j1}(\tau) - x_{i1}(\tau))) d\tau \\ \int_0^t (x_{i3}(\tau) + c \sum_{j=1}^3 \Delta_{ij}(x_{j2}(\tau) - x_{i2}(\tau))) d\tau \\ \int_0^t (-2x_{i1}(\tau) - x_{i2}(\tau) - x_{i3}(\tau) + b_{i3}(\mathbf{x}(\tau)) + c_i \sum_{j=1}^3 \Delta_{ij}(x_{j3}(\tau) - x_{i3}(\tau))) d\tau \end{bmatrix}. \quad (14)$$

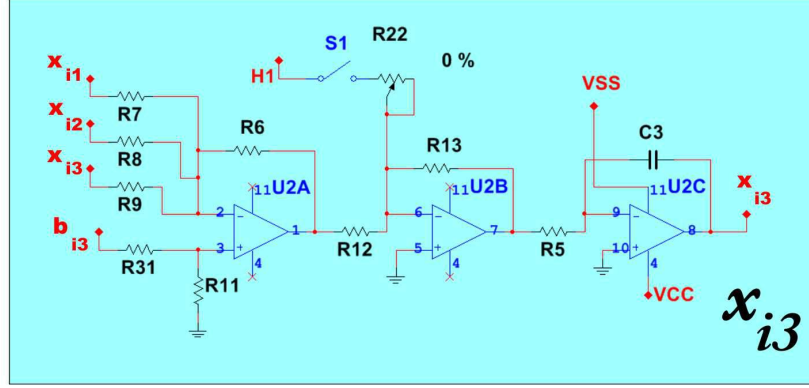


Figure 7: Circuit diagram for the electronic implementation of the x_{i3} state equation of the node $N = 1$, as described in eq. (14).

By means of the integration configuration in the Op Amps with the inverting capacitor feedback connection, one can model electronically the state equations in matter. This can be appreciated for the electronic implementation of one single node given by the eq. (13) with (14), depicted in Figure 6 for each of the corresponding states x_{i1} and x_{i2} , in Figure 7 for x_{i3} , and in Figure 8 for the switching value of b_{i3} depending on the value of x_{i1} . By using common node analysis by Kirchhoff current law and the superposition technique in the nodes marked as x_{i1}, x_{i2}, x_{i3} in the circuit implementation mentioned before, the following voltage equation will result.

$$\begin{aligned}
 x_{i1} &= \frac{-1}{R3 \cdot C1} \int \left(-\frac{R2}{R1} x_{i2} - \frac{R2}{R65} S1 \cdot F1 \right) dt - V_{C1_0}, \\
 x_{i2} &= \frac{-1}{R4 \cdot C2} \int \left(-\frac{R21}{R19} x_{i3} - \frac{R21}{R23} S2 \cdot G1 \right) dt - V_{C2_0}, \\
 x_{i3} &= \frac{-1}{R5 \cdot C3} \int \left(\frac{R6 \cdot R13}{R7 \cdot R12} x_{i1} + \frac{R6 \cdot R13}{R8 \cdot R12} x_{i2} + \frac{R6 \cdot R13}{R9 \cdot R12} x_{i3} \right. \\
 &\quad \left. - \frac{R13}{R22} H1 - \frac{R11 \cdot R13 \cdot (RP + R6)}{RP \cdot R12 \cdot (R31 + R11)} b_{i3} \right) dt - V_{C3_0};
 \end{aligned} \tag{15}$$

where $RP = R7 || R8 || R9$, with “||” as the equivalent parallel resistor. In the three state circuits there is a connection represented by the switch components S1, S2, and S3, with which one is able to implement the “0” or “1” values from the inner linking matrix Γ connections. The coupling strength of the network c is represented by means of the relation throughout the resistor and potentiometers marked as R2, R13, R21, R22, R63, R65 in a way that $c = \frac{R2}{R65} = \frac{R21}{R23} = \frac{R13}{R22}$. Therefore, the value of the coupling strength can be varied by the adjustment of the variable resistors depending of the experiment requirements. The commutation values that the system has are represented by the comparator amplifier in Figure 8. Where the changing of sign of the signal $x1$ is being

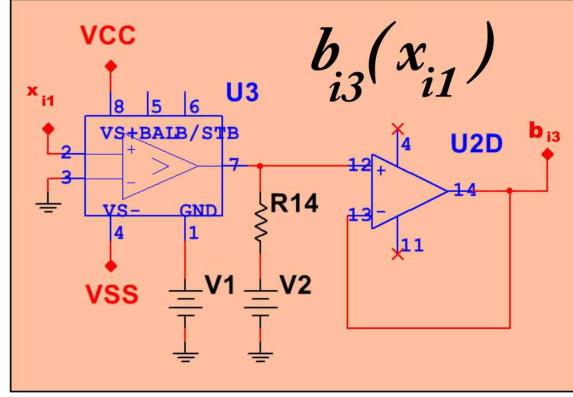


Figure 8: Circuit diagram for the electronic implementation of the commutation values of the node $N = 1$, as described in eq. (14).

implemented by the U3 component according to the commutation surface in the systems equation given in (4).

The term of the sum involved in the coupling in each of the state equations in (13) with (14) is performed by the circuit displayed in Figure 9. Notice that for each of the circuits here $c_{x_{i1}}$, $c_{x_{i2}}$ and $c_{x_{i3}}$, there are four signals connected in the inverting adding amplifiers U4A, U4C and U5A, marked as x_{ij} with $i, j = 1, 2, 3, 4$, respectively. The nodes marked as $F1, G1$ and $H1$ present the following voltage equations:

$$\begin{aligned} F1 &= \frac{R60}{R59} \left(\frac{R15}{R10} x_{41} + \frac{R15}{R28} x_{31} + \frac{R15}{R29} x_{21} - \frac{R20 \cdot (RPx + R15)}{RPx \cdot (R20 + R28)} x_{11} \right), \\ G1 &= \frac{R38}{R37} \left(\frac{R16}{R24} x_{42} + \frac{R16}{R35} x_{32} + \frac{R16}{R36} x_{22} - \frac{R17 \cdot (RPy + R16)}{RPy \cdot (R18 + R20)} x_{12} \right), \\ H1 &= \frac{R26}{R25} \left(\frac{R39}{R27} x_{43} + \frac{R39}{R46} x_{33} + \frac{R39}{R47} x_{23} - \frac{R40 \cdot (RPz + R39)}{RPz \cdot (R40 + R41)} x_{13} \right); \end{aligned} \quad (16)$$

where $RPx = R10 \parallel R28 \parallel R29$, $RPy = R24 \parallel R35 \parallel R36$ and $RPz = R27 \parallel R46 \parallel R47$. This node voltage equation will result in the same equation as the one given by the sum coupling term in (13) and $\Gamma = \text{diag}\{\mathbf{I}_3\}$. With this connections for each of the corresponding states, the circuit will be ready to couple in the network in different configurations. It is important to mention that in case that other type of coupling is considered, the connections on the resistors ($R10, R18, R28, R29$ for x , $R24, R30, R35, R36$ for x_{i2} and $R27, R41, R46, R47$ for x_{i3}), must be disconnected and the remaining resistors adjusted in value in order to represent both the connection of the matrix coupling \mathbf{S} and the inner linking matrix Γ .

The values of the electronic components (resistors, capacitors and op amps) given in the electronic implementation are depicted at the Table 2. This values were considered so that the voltages depicted in eq. (15) become analytically

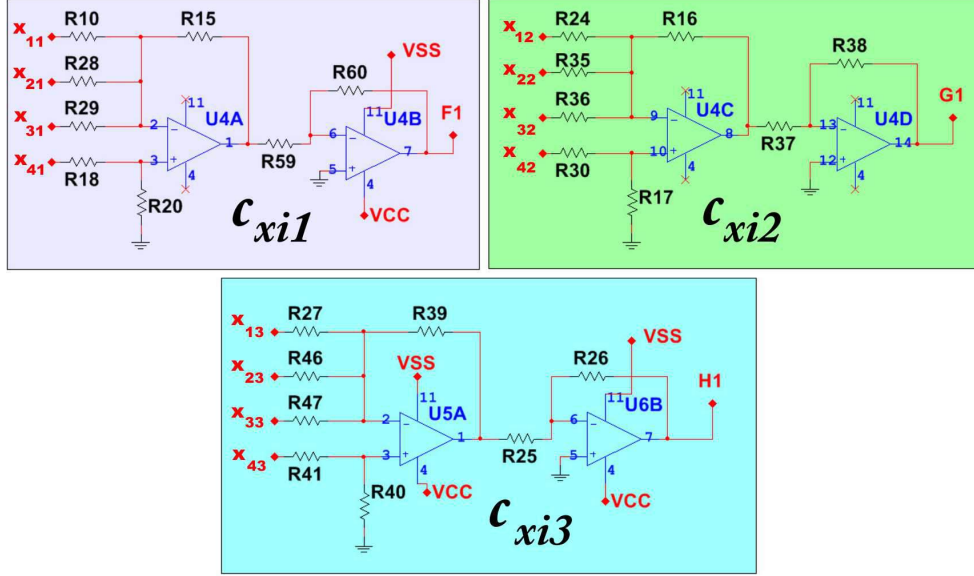


Figure 9: Circuit diagram for the electronic implementation of the coupling of the node $N = 1$, as described in eq. (14) by the sum term with eq. (16) and a matrix connection Δ^{fully} as depicted in eq. (17).

equal to the equation of the first node given by (13). It is important to remark that the diagram circuits depicted here are considering only the first node of the network. For each other node connected in the network, a corresponding diagram from Figures 6 to 9) must be design according to the parameters of the system, and the connection and variables involved in the coupling, resulting in a large number of components and connections for a 4-node network.

6.1. Electronic implementation of a nearest neighbor connected network

In order to represent the two types of network connection given in Section 5) four nodes connected according to the two graphs depicted in Figure 10) will be considered. The coupling matrices of both networks satisfying the diffusive condition will be given by:

$$\Delta^{near} = \begin{pmatrix} -2 & 1 & 0 & 1 \\ 1 & -2 & 1 & 0 \\ 0 & 1 & -2 & 1 \\ 1 & 0 & 1 & -2 \end{pmatrix}; \Delta^{fully} = \begin{pmatrix} -3 & 1 & 1 & 1 \\ 1 & -3 & 1 & 1 \\ 1 & 1 & -3 & 1 \\ 1 & 1 & 1 & -3 \end{pmatrix}; \quad (17)$$

with Δ^{near} for a NN network and Δ^{fully} for a FC network. First consider the case for the nearest neighbor connection. Here the coupling must be adjusted in the node 1 to connect only with node 2 and node 4. Therefore resistors



Figure 10: Graph structures for the electronic implementation of the network connection of $N = 4$ non-identical nodes. In the left a nearest neighbor connection and in the right a fully connected network.

R_{28}, R_{35}, R_{46} which connect to the states of node 3 will be disconnected. In the same way, node 2 must present resistors connecting to node 1 and node 3, node 3 connected to node 2 and node 4, and node 4 connected to node 1 and node 3. The values of the resistors for Figure 9 considering this type of coupling are given in Tables 2 and 3.

The experimentation of the network is measured with a Rohde & Shwarz RTM2054 four channel Digital Oscilloscope. The results for the nearest neighbor coupling of $N = 4$ with a coupling strength of $c = 2.5$ are depicted in the experimental traces in Figure 11 a) to d). In which the experimental traces in time of the x_{i1} state are given in Figure 11 a) where each channel (CH1-CH4 marked in yellow, green, red and purple) correspond to each node (1-4) to the signals of $x_{11}, x_{21}, x_{31}, x_{41}$, respectively. The signals marked as MA1-MA3 (located between each oscillating pair or measurement in light blue color) correspond to the mathematical operation $MA1 = CH2 - CH1, MA2 = CH3 - CH1, MA3 = CH4 - CH1$. By means of this MA signals, one is able to measure the relation between the states to determine if they are synchronized. Similar specifications regarding Figure 11 b) and c) for the states x_{i2} and x_{i3} respectively. Notice how MA1 is almost fully attenuated at zero, and notice also the voltage scale marked at $100mV$. Small perturbations can be appreciated for the x_{i2} state principally in MA1 and MA3. This variation correlates with

Table 2: Values and components of the electronic implementation. Any resistance not included here (considering also the potentiometers) or in the Table 3 is consider with a value of $10k\Omega$.

Component	Value or name	Component	Value or name
R3,R4,R5	$1k\Omega$	U1-U2 & U4-U6	TL084CD
R7	$5k\Omega$	U3	LM319N
R31	$40k\Omega$	C1-C3	$1\mu F$
VCC	18V	VSS	-18V
V1	-1V	V2	1V

the intermittencies depicted in Figure 5 in the numerical simulation. Figure 11 d) shows the projection of the systems in order to appreciate the attractor resulting from the network, x_{11} vs x_{22} is located in the upper part in green color, while x_{11} vs x_{32} is located in the lower part in orange color. Notice the resemblance between the projected synchronized attractors.

6.2. Electronic implementation of a fully connected network

By changing the resistors as the values depict in Table 3, it will result in a fully connected network with a coupling matrix given by Δ^{fully} in eq. (17) with $N = 4$, $\Gamma = \text{diag}\mathbf{I}_3$ and $c = 2$. Figure 12 a) to d) depicts the experimental traces for each corresponding state x_{i1}, x_{i2}, x_{i3} . Same consideration according to the signals displayed here, from which it can be seen that the difference between the states has been attenuated in relation with the previous experiment. This experimental traces demonstrates the results in the numerical example of the fully connected network displayed before. As mentioned before, devices commonly distributed present tolerances between 5-10%. In thus, the implementation of electronic devices with tolerance can be adequately adjusted in the designing of networks of identical or non-identical nodes resulting in a more natural systems.

7. Concluding remarks

In this work a network of nearly identical coupled chaotic oscillators is described. In particular, a type of piece-wise linear (PWL) system called Unstable Dissipative System (UDS) was implemented, which is an affine-linear dynamical system with a switching law capable of generating a chaotic behavior in the system. The main characteristic of this network is that it considered a tolerance variation in the parameters of each individual node, in order to present nearly identical states that resembles more accurately physical systems instead of identical simulated ones. The network was studied by means of numerical analysis and experimental validation by means of an electronic implementation using analog computing.

In this context, the model results in a network of nearly-identical nodes that, according to the numerical results, achieve practical synchronous behavior. The circuit architecture let to select both a network topology and link attributes and

Table 3: Values for the resistors of the coupling circuit from Figure 9 for the two different types of coupling given in Figure 10

Nearest neighbor		Fully connected	
Component	Value or name	Component	Value or name
R18, R30, R41	5k Ω	R18, R30, R41	3.3k Ω
R10, R18, R29	10k Ω	R10, R18, R28, R29	10k Ω
R24, R30, R36	10k Ω	R24, R30, R35, R36	10k Ω
R27, R41, R47	10k Ω	R27, R41, R46, R47	10k Ω
R28, R35, R46	Not connected		

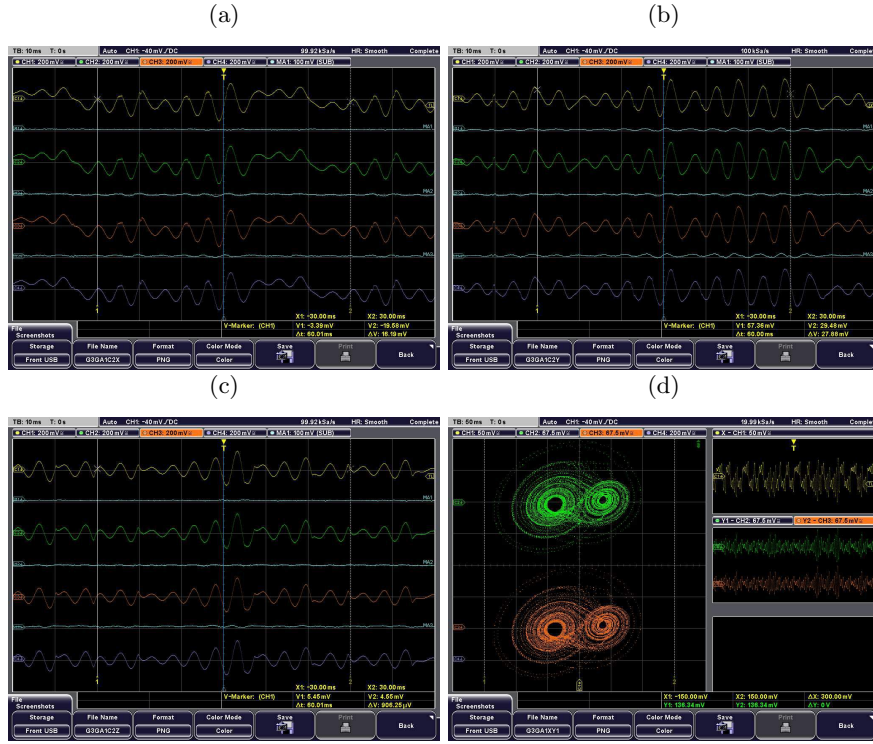


Figure 11: Experimental traces from the oscilloscope for the signals of a) x_{i1} , b) x_{i2} , c) x_{i3} of a $N = 4$ nearest neighbor network implemented electronically in the circuits depicted from Figures 6-9, with Δ^{near} in eq. (17), $\Gamma = \text{diag}\mathbf{I}_3$ with $c = 2.5$. In d) is depicted the projection of the signals into the (x_{11}, x_{22}) plane and the (x_{11}, x_{32}) plane. The values for the resistor in the coupling of Figure 9 are given in Tables 2 and 3.

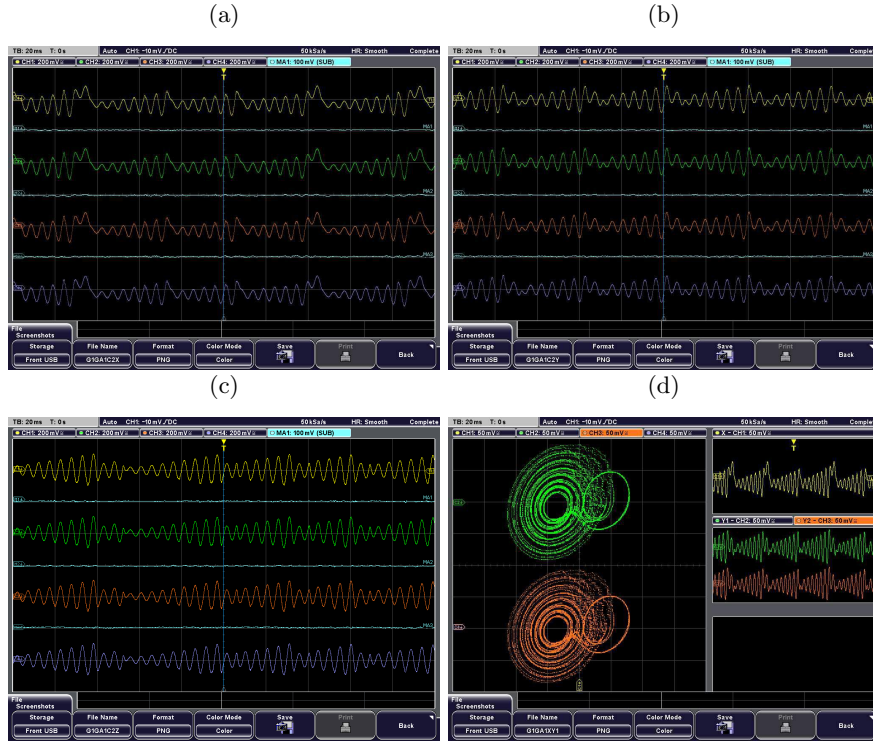


Figure 12: Experimental traces from the oscilloscope for the signals of a) x_{i1} , b) x_{i1} , c) x_{i1} of a $N = 4$ fully connected neighbor network implemented electronically in the circuits depicted from Figures 6-9, with Δ^{fully} in eq. (17), $\Gamma = \text{diag}\mathbf{I}_3$ with $c = 2$. In d) is depicted the projection of the signals into the (x_{11}, x_{22}) plane and the (x_{11}, x_{32}) plane. The values for the resistor in the coupling of Figure 9 are given in Tables 2 and 3

it was used to study experimentally the collective behavior of an ensemble of connected UDS, and to corroborate the emergence of bounded synchronization which was defined as practical synchronous collective behavior. Additionally, based on the formalism of dynamical networks, the circuit dynamics were modeled by introducing parameter mismatches in the nodes, which emulate the natural tolerances in the nominal values of the circuit components. This type of electronic circuit device has potential applications in communications and cryptography with the advantage of its relative easy implementation. Also it could be used to study the synchronization phenomena in systems of non-identical nodes by considering that each node has a distinct switching law *i.e.*, different number of scrolls. These research issues will be reported elsewhere.

8. Acknowledgements

M. García-Martínez acknowledges the GIEE - Optimización y Ciencia de Datos for the support. L.J. Ontañón-García acknowledges the FAI-UASLP financial support through project No. C18-FAI-05-45.45 and the support given by the financing of the project UASLP-CA-268 with IDCA 28234 by SEP-PRODEP.

9. Supplementary material

An article brief description can be followed by means of the audio slides posted in <https://youtu.be/VSuQCn7bdt4>

References

References

- [1] K. M. Cuomo and A. V. Oppenheim, "Circuit implementation of synchronized chaos with applications to communications," *Physical Review Letters*, vol. 71, no. 1, pp. 65–68, 1993.
- [2] S. H. Strogatz and A. V. Oppenheim, "Synchronization of Lorenz-Based Chaotic Circuits with Applications to Communications," *IEEE Transactions on Circuits and Systems II: Analog and Digital Signal Processing*, vol. 40, no. 10, pp. 626–633, 1993.
- [3] M. García-Martínez, L. J. Ontañón-García, E. Campos-Cantón, and S. Čelikovský, "Hyperchaotic encryption based on multi-scroll piecewise linear systems," *Applied Mathematics and Computation*, vol. 270, pp. 413–424, 2015.
- [4] P. Orponen, "A Survey of Continuous-Time Computation Theory," in *Advances in Algorithms, Languages, and Complexity*, pp. 209–224, 1997.

- [5] H. T. Siegelmann and S. Fishman, “Analog computation with dynamical systems,” *Physica D: Nonlinear Phenomena*, vol. 120, no. 12, pp. 214–235, 1998.
- [6] Y. Horio and K. Aihara, “Analog computation through high-dimensional physical chaotic neuro-dynamics,” *Physica D: Nonlinear Phenomena*, vol. 237, no. 9, pp. 1215–1225, 2008.
- [7] M. Mulukutla and C. Aissi, “Implementation of the Chua’s circuit and its applications,” in *Proceedings of the ASEE Gulf-Southwest Annual Conference*, 2002.
- [8] E. Campos-Cantón, J. G. Barajas-Ramírez, G. Solís-Perales, and R. Femat, “Multiscroll attractors by switching systems,” *Chaos*, vol. 20, no. 1, 2010.
- [9] J. M. Muñoz-Pacheco, E. Tlelo-Cuautle, I. E. Flores-Tiro, and R. Trejo-Guerra, “Experimental synchronization of two integrated multi-scroll chaotic oscillators,” *Journal of Applied Research and Technology*, vol. 12, no. 3, pp. 459–470, 2014.
- [10] E. Tlelo-Cuautle, J. J. Rangel-Magdaleno, A. D. Pano-Azucena, P. J. Obeso-Rodelo, and J. C. Nunez-Perez, “FPGA realization of multi-scroll chaotic oscillators,” *Communications in Nonlinear Science and Numerical Simulation*, vol. 27, no. 1-3, pp. 66–80, 2015.
- [11] I. Leyva, R. Sevilla-Escoboza, J. M. Buldú, I. Sendiña-Nadal, J. Gómez-Gardeñes, A. Arenas, Y. Moreno, S. Gómez, R. Jaimes-Reátegui, and S. Boccaletti, “Explosive first-order transition to synchrony in networked chaotic oscillators,” *Physical Review Letters*, vol. 108, no. 16, 2012.
- [12] M. De Magistris, M. Di Bernardo, E. Di Tucci, and S. Manfredi, “Synchronization of networks of non-identical chua’s circuits: Analysis and experiments,” *IEEE Transactions on Circuits and Systems I: Regular Papers*, vol. 59, no. 5, pp. 1029–1041, 2012.
- [13] S. H. Strogatz, “Exploring complex networks,” *Nature*, vol. 410, no. 6825, pp. 268–276, 2001.
- [14] S. Boccaletti, V. Latora, Y. Moreno, M. Chavez, and D. U. Hwang, “Complex networks: Structure and dynamics,” 2006.
- [15] M. Porter and J. Gleeson, “Dynamical Systems on Networks: A Tutorial,” *arXiv preprint [arXiv:1403.7663](https://arxiv.org/abs/1403.7663)*, pp. 1–32, 2014.
- [16] X. F. Wang and G. Chen, “Complex networks: Small-world, scale-free and beyond,” 2003.
- [17] L. M. Pecora and T. L. Carroll, “Master stability functions for synchronized coupled systems,” *Physical Review Letters*, vol. 80, no. 10, pp. 2109–2112, 1998.

- [18] J. Zhao, D. J. Hill, and T. Liu, “Stability of dynamical networks with non-identical nodes: A multiple V-Lyapunov function method,” *Automatica*, vol. 47, no. 12, pp. 2615–2625, 2011.
- [19] R. S. S. Robert Spence, *Tolerance Design of Electronic Circuits*. 1997.
- [20] L. J. Ontañón-García, E. Jiménez-López, E. Campos-Cantón, and M. Basin, “A family of hyperchaotic multi-scroll attractors in R^n ,” *Applied Mathematics and Computation*, vol. 233, no. 1, pp. 522–533, 2014.
- [21] E. Campos-Cantón, R. Femat, and G. Chen, “Attractors generated from switching unstable dissipative systems,” *Chaos*, vol. 22, no. 3, 2012.
- [22] Z. T. Njitacke, J. Kengne, H. B. Fotsin, A. N. Negou, and D. Tchiotso, “Coexistence of multiple attractors and crisis route to chaos in a novel memristive diode bridge-based Jerk circuit,” *Chaos, Solitons and Fractals*, vol. 91, pp. 180–197, 2016.
- [23] E. Jiménez-López, J. S. González Salas, L. J. Ontañón-García, E. Campos-Cantón, and A. N. Pisarchik, “Generalized multistable structure via chaotic synchronization and preservation of scrolls,” *Journal of the Franklin Institute*, vol. 350, no. 10, pp. 2853–2866, 2013.
- [24] L. J. Ontañón-García and R. E. Lozoya Ponce, “Analog Electronic Implementation of Unstable Dissipative Systems of Type I with Multi-Scrolls Displaced Along Space,” *International Journal of Bifurcation and Chaos*, vol. 2, no. 6, 2017.